

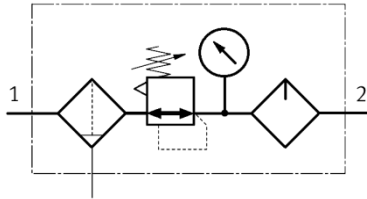


Data sheet – PCA-D-MINI/MIDI/MAXI

 Temperature
-10...+60 °C

 Circuit symbol



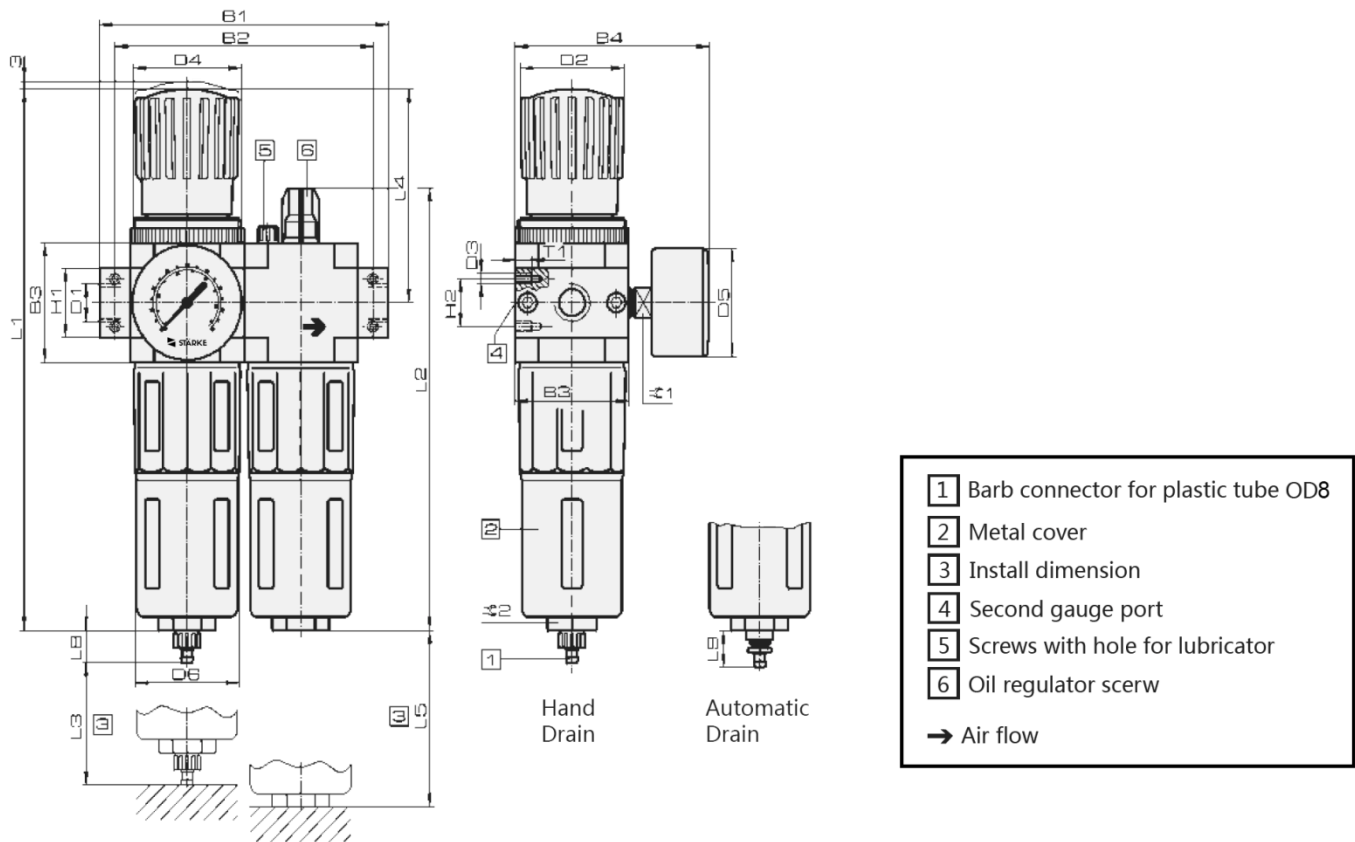
General technical data

Type for ordering	PCA-1/4-D-MINI-ST	PCA-1/2-D-MIDI-ST	PCA-1-D-MAXI-ST
Pneumatic connection 1, 2	G1/4	G1/2	G1
Grade of filtration [µm]	40		
Air purity class at the output	Compressed air to ISO 8573-1:2010 [7:8:-] (grade of filtration 40 µm)		
Bowl guard	Metal bowl guard		
Condensate drain	Manual, rotary (Optional Fully automatic)		
Regulation lock	Rotary knob with latch		
Pressure regulation range [bar]	0.5 ... 12		
Max. pressure hysteresis [bar]	0.2	0.2	0.4
Pressure indication	Gauge		
	Prepared for G1/8	Prepared for G1/4	Prepared for G1/4
Max. condensate volume [cm ³]	22	43	80
Mounting position	Vertical ±5°		
Standard nominal flow rate q _{nN¹}) [l/min] Pressure regulation range, grade of filtration 0.5 ... 12 bar, 40 µm	1000*	2600*	8500*
Weight [g]	660	1440	2520

*Measured at p₁ = 10 bar, p₂ = 6 bar and Δp = 1 bar

Data sheet – PCA-D-MINI/MIDI/MAXI


Dimensions




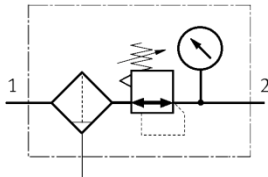
TYPE	B1	B2	B3	B4	D1	ØD2	D3	D4	ØD5	ØD6
PCA-1/4-D-MINI-ST	104	92	40	76	G1/4	31	M4	M36X1.5	41	38
PCA-1/2-D-MIDI-ST	140	125	55	95	G1/2	50	M5	M52X1.5	50	52
PCA-1-D-MAXI-ST	182	157	66	107	G1	31	M5	M36X1.5	50	65

TYPE	H1	H2	L1	L2	L3	L4	L5	L8	L9	T1	CH1	CH2
PCA-1/4-D-MINI-ST	20	11	193	169	60	69	100	15	19	7	14	22
PCA-1/2-D-MIDI-ST	32	22	250	204	80	99	120	15	19	8	14	24
PCA-1-D-MAXI-ST	40	22	252	228	90	82	150	15	19	8	14	24

Data sheet – PFR-D-MINI/MIDI/MAXI

 Temperature
-10...+60 °C

 Circuit symbol



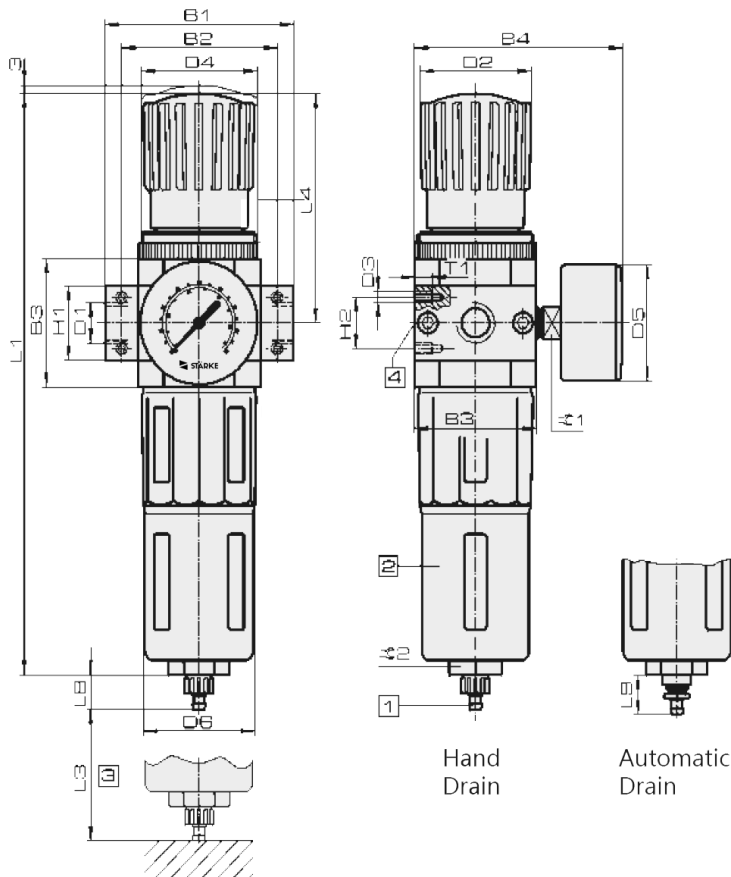
General technical data

Type for ordering	PFR-1/4-D-MINI-ST	PFR-1/2-D-MIDI-ST	PFR-1-D-MAXI-ST
Pneumatic connection 1, 2	G1/4	G1/2	G1
Grade of filtration [µm]	40		
Air purity class at the output	Compressed air to ISO 8573-1:2010 [7:8:-] (grade of filtration 40 µm)		
Bowl guard	Metal bowl guard		
Condensate drain	Manual, rotary (Optional Fully automatic)		
Regulation lock	Rotary knob with latch		
Pressure regulation range [bar]	0.5 ... 12		
Max. pressure hysteresis [bar]	0.2	0.2	0.4
Pressure indication	Gauge		
	Prepared for G1/8	Prepared for G1/4	Prepared for G1/4
Max. condensate volume [cm ³]	22	43	80
Mounting position	Vertical ±5°		
Standard nominal flow rate q _{nN¹}) [l/min] Pressure regulation range, grade of filtration 0.5 ... 12 bar, 40 µm	1000*	2600*	8500*
Weight [g]	660	1440	2520

*Measured at p₁ = 10 bar, p₂ = 6 bar and Δp = 1 bar

Data sheet – PFR-D-MINI/MIDI/MAXI

Dimensions



- 1** Barb connector for plastic tube OD8
 - 2** Metal cover
 - 3** Install dimension
 - 4** Second gauge port
 - 5** Screws with hole for lubricator
 - 6** Oil regulator scerw
- Air flow

TYPE	B1	B2	B3	B4	D1	ØD2	D3	D4	ØD5	ØD6
PFR-1/4-D-MINI-ST	104	92	40	76	G1/4	31	M4	M36X1.5	41	38
PFR-1/2-D-MIDI-ST	140	125	55	95	G1/2	50	M5	M52X1.5	50	52
PFR-1-D-MAXI-ST	182	157	66	107	G1	31	M5	M36X1.5	50	65

TYPE	H1	H2	L1	L3	L4	L8	L9	T1	CH1	CH2
PFR-1/4-D-MINI-ST	20	11	193	60	69	15	19	7	14	22
PFR-1/2-D-MIDI-ST	32	22	250	80	99	15	19	8	14	24
PFR-1-D-MAXI-ST	40	22	252	90	82	15	19	8	14	24



IMPORTADO E DISTRIBUIDO POR KLEIN
(47) 33230470
www.kleinautomacao.com.br